



Xciter Amplifier

Integrated Stereo Vacuum Tube Amplifier

OWNER'S MANUAL



NOTE: Before installing your new component, please read this manual carefully as it will inform you of the product specifications, proper installation and correct operating procedures for your unit. Also included in this manual are guidelines on how to service and care for your new Cary Audio Design product.

TABLE OF CONTENTS

Important Safety Instructions	2
Welcome	
Thank You	5
Product Features	6
Unpacking and Installation	7
Specifications	
Specifications	8
Controls & Displays	
Front Panel	10
Rear Panel	11
Top Panel	12
Operation	
AC Power Requirements	13
Source Inputs	13
Subwoofer Outputs	13
Speaker Binding Posts	13
Power ON/OFF Switch	13
Source Selector	13
Listening Level.....	14
Remote Control	14
Headphone Function	14
Break-In Period	15
Service and Care	
Tube Replacement	16
Fuse Replacement	16
Care and Cleaning	16
Factory Service	16
Non-Warranty Repairs	17
United States Limited Warranty	18

IMPORTANT SAFETY INSTRUCTIONS

WARNING: To reduce the risk of fire or electric shock, do not expose this appliance to rain or moisture. The lightning flash with arrowhead symbol within an equilateral triangle is intended to alert the user to the presence of un-insulated dangerous voltage within the product's enclosure that may be of sufficient magnitude to constitute a risk of electric shock to persons.



CAUTION: To reduce the risk of electric shock, do not remove the cover. There are no user serviceable parts inside. Please refer to qualified personnel for service.

ALERT: The exclamation point within an equilateral triangle is intended to alert the user of the presence of important operating and maintenance (servicing) instructions in the literature accompanying the component.

1. **READ ALL INSTRUCTIONS:** All the safety and operating instructions of your Cary Audio equipment should be read before power is applied to the equipment.
2. **RETAIN OWNER'S MANUAL:** These safety and operating instructions should be retained for future reference.
3. **HEED WARNING:** All warnings on the unit and in the operating instructions should be adhered to.
4. **FOLLOW INSTRUCTIONS:** All operating and use instructions should be followed.
5. **CLEANING:** Unplug the unit from the wall outlet before cleaning. The unit should be cleaned only as recommended by the manufacturer.
6. **ATTACHMENTS:** **Do not** use attachments not recommended by the unit manufacturer as they may cause hazards.
7. **WATER AND MOISTURE:** **Do not** use the unit near water - for example, near a bath tub, wash bowl, kitchen sink, or laundry tub; in a wet basement; or near a swimming pool.
8. **ACCESSORIES:** **Do not** place the unit on an unstable cart, stand, tripod, bracket, or table. The unit may fall, causing serious injury to a child, an adult, or damage to the unit. Mounting of the unit should follow the manufacturer's instructions and should use a mounting accessory recommended by the manufacturer.
9. **VENTILATION:** Slots and openings in the cabinet are provided for ventilation to ensure reliable operation of the unit and to protect it from overheating. These openings must not be blocked or covered. The top or bottom panel openings should never be blocked by placing the unit on a bed, sofa, rug, or other similar surface. The unit should not be installed in a built-in location such as a bookcase or rack unless proper ventilation is provided. There should be free space of at least 6 inches (16cm) above the unit and an opening behind the unit.
10. **GROUNDING OR POLARIZATION:** The unit may be equipped with a polarized alternating current line plug (a plug having one blade wider than the other). This plug will fit into the power outlet only one way. This is a safety feature. If you cannot insert the plug fully into the outlet, try reversing the plug. If the plug should fail to fit, contact a licensed electrician to replace your obsolete outlet. Do not defeat the safety purpose of the polarized plug.
11. **POWER SOURCES:** The unit should be operated only from the type of power source indicated on the marking label. If you are not sure of the type of power supplied to your home, consult your unit dealer or local power company.
12. **POWER CORD PROTECTION:** Power supply cords should be routed so that they are unlikely to be walked on or pinched by items placed on or against them. Pay close attention to cords where they enter a plug, or a convenience receptacle, and the point where they exit from the unit.
13. **OUTDOOR ANTENNA GROUNDING:** If an outside antenna or cable system is connected to the unit, be sure the antenna or cable system is grounded so as to provide protection against voltage surges and built-up static charges. Article 810 of the National Electrical Code, NSI/NFPA 70, provides information regarding proper grounding of the mast and supporting structure, grounding of the lead-in wire to an Antenna-discharge unit, size of grounding conductors, location of antenna-discharge unit, connection to grounding electrodes, and requirements for the grounding electrode.

IMPORTANT SAFETY INSTRUCTIONS

14. **LIGHTNING:** For added protection for the unit during a lightning storm, or when it is left unattended and unused for long periods of time, unplug it from the wall outlet and disconnect the antenna or cable system. This will prevent damage to the unit due to lightning and power line surges.
15. **POWER LINES:** An outside antenna system should not be located in the vicinity of overhead power lines or other electric light or power circuits, or where it can fall into such power lines or circuits. When installing an outside antenna system, take extreme care to keep from touching such power lines or circuits as contact with them might be fatal.
16. **OVERLOADING:** Do not overload wall outlets, extension cords, or integral convenience receptacles as this can result in a risk of fire or electric shock.
17. **OBJECT AND LIQUID ENTRY:** Never push objects of any kind into the unit through openings as they may touch dangerous voltage points or short-out parts that could result in a fire or electric shock. Never spill liquid of any kind on the unit.
18. **SERVICING:** Do not attempt to service the unit yourself as opening or removing covers may expose you to dangerous voltage or other hazards. Refer all servicing to qualified service personnel.
19. **REPLACEMENT PARTS:** When replacement parts are required, be sure the service technician has used replacement parts specified by the manufacturer or have the same characteristics as the original part. Unauthorized substitutions may result in fire, electric shock or other hazards.
20. **SAFETY CHECK:** Upon completion of any service or repairs to the unit, ask the service technician to perform safety checks to determine that the unit is in proper operating condition.
21. **WALL OR CEILING MOUNTING:** The unit should be mounted to a wall or ceiling only as recommended by the manufacturer.
22. **HEAT:** The unit should be situated away from heat sources such as radiators, heat registers, stoves, or other units (including amplifiers) that produce heat.
23. **IMPORTANT SAFETY NOTE:** Before connecting a new component to your audio or home theater system it is always good practice to make certain that all components are turned off, and preferably unplugged from their AC power source. Many modern electronics products feature automatic turn-on circuits that may be activated during an installation, causing the potential for damage to electronic components and/or speakers. Such damage is not covered by product warranties and Cary Audio specifically disclaims responsibility for any such damage.

Power Cord: The removable power cord that is shipped with the player is specifically designed to be used with this product. Other AC cords may be used, so consult your dealer for advice on AC power cords and high quality wire in your system.



AC Fuse: The fuse is located inside the chassis and is not user serviceable. If power does not come on, contact your authorized service representative.

Wiring: Cables that run inside of walls should have the appropriate markings to indicate compliance with, and listing by the UL, CSA or other standards required by the UL, CSA, NEC or your local building code. Questions about cables inside of walls should be referred to a qualified custom installer, or a licensed electrician or low-voltage contractor.

Do Not Open the Cabinet: There are no user serviceable components inside this product. Opening the cabinet may present a shock hazard, and any modification to the product will void your warranty. If water or any metal object, such as a paper clip, coin, or staple accidentally falls inside the unit, disconnect it from the AC power source immediately and contact Cary Audio for further instructions.

24. **RECORDING COPYRIGHT:** Recording of copyrighted material for other than personal use is illegal without permission of the copyright holder.
25. **NOTE TO CATV SYSTEM INSTALLER:** This reminder is provided to call the CATV system installer's attention to article 820-40 of the NEC, ANSI/NFPA 70, which provides guidelines for proper grounding and, in particular, specifies that the cable ground shall be connected to the grounding system of the building, as close to the point of cable entry as practical.

IMPORTANT SAFETY INSTRUCTIONS

26. FCC INFORMATION FOR USER:

CAUTION: ANY changes or modifications not expressly approved by the party responsible for compliance could void the user's authority to operate the equipment.



NOTE: This equipment has been tested and found to comply with the limits for a Class B digital device pursuant to Part 15 of the FCC Rules.

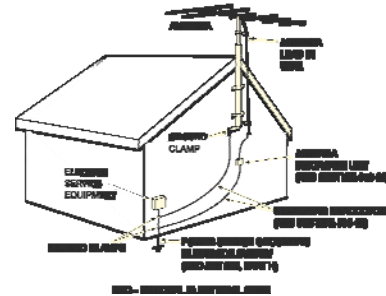
These limits are designed to provide reasonable protection against harmful interference in a residential installation. This equipment generates and can radiate radio frequency energy and, if not installed and used in accordance with the instructions, may cause harmful interference to radio communications. However, there is no guarantee that interference will not occur in a particular installation. If this equipment does cause harmful interference to radio or television reception, which can be determined by turning the equipment off and on, the user is encouraged to try to correct the interference by one or more of the following measures:

- Reorient or relocate the receiving antenna.
- Increase the separation between the equipment and receiver.

Connect the equipment into an outlet on a circuit different from where the receiver is connected.

27. OUTDOOR ANTENNA INSTALLATION/SAFE ANTENNA AND CABLE CONNECTION:

If an outside antenna or cable system is connected to the equipment, be sure the antenna or cable system is grounded so as to provide protection against built up static charges and voltage surges, Section 810 of the national Electrical Code, ANSI/NFP A70 (in Canada, part 1 of the Canadian Electrical Code) provides information with respect to proper grounding of the mast and supporting structure, grounding of the lead-in wire to an antenna discharge unit, size of grounding conductors, location of antenna discharge unit, connection to grounding electrodes and requirements for the grounding electrode.



Keep Antenna Clear of High Voltage Power Lines or Circuits

An outside antenna system should be located well away from power lines, electric light or power circuits and where it will never come into contact with these power sources if it should happen to fall. When installing an outside antenna, extreme care should be taken to avoid touching power lines, circuits or other power sources as this could be fatal. Because of the hazards involved, antenna installation should be left to a professional.

WELCOME

THANK YOU

Dear Cary Audio Customer:

I am so pleased and excited about the new Cary Audio Design Xciter, stereo vacuum tube integrated amplifier. I have spent countless hours designing and refining this very special vacuum tube amplifier. The Xciter started life in April of 2008 as a companion to a new digital to analog USB converter I was designing. I had recently discovered the merits of computer full bandwidth audio. In fact I found myself watching DVD's on the computer and using the new Xciter amplifier and a pair of C4 Dynaudio loudspeakers in my listening room. In my lab I found myself listening to the Xciter amplifier with the amazing Grado GS-1000 headphones. What a neat combination. I thought this combo had merit and began percolating the final designs in my in my head. Then to the drawing board.

In October, six months after the initial prototype I had the cosmetic package complete. I needed to have these new babies on display at the January 2009 CES Show.

Well it is now December of 2008 and I am once again an excited "design-boy" watching the new Xciter integrated amplifiers go down the Apex, North Carolina, Cary "toy" shop production line. The companion Xciter DAC will come into production in February of 2009. I can now answer the question: "How does it sound?" "Amazing, I love it, I love it!!!!!!"

Enjoy the music in your home, or office with your new Xciter integrated amplifier and thank you for your support.

God Bless you and your family.

Dennis and the Cary Audio Team

WARNING

Electrical hazard! Misuse or failure to follow instructions properly may result in personal injury or death!

CAUTION

No risk or personal injury; however, misuse or failure to follow instructions may result in damage to equipment.

NOTE

No risk of personal injury or equipment damage; however, misuse or failure to follow instructions may prevent proper performance of the equipment.

WELCOME

PRODUCT FEATURES

The stereo vacuum tube power amplifier has a great history at Cary Audio Design. The superb lineage of CAD power amplifiers and integrated amplifiers have consistently garnered fantastic reviews for stable power output, incredible value for the money and sound quality along with 'Best Buy' and 'Class A' ratings from magazines and reviewers worldwide. Building on this storied legacy, we are releasing the CAD *Xciter* Integrated stereo vacuum tube power amplifier. This innovative stereo power amplifier was conceived to be a small desktop integrated amp to be companion to the new CAD *Xciter* Digital to Analog Converter. In the Cary tradition, it features a gorgeous cabinet and has a subtle touch of translucent blue LED back lighting to complement the natural beauty of the vacuum tubes. Although it may be small in physical size it is imbued with the full spirit of Cary Audio. Its 5 watts per channel in class A triode mode plays much bigger than you might expect and its sublime musicality is just what you would expect from Cary Audio. For headphone lovers, a standard ¼ inch diameter, 3 circuit output jack is conveniently located on the front panel to pipe the music to your favorite set of cans. The circuitry is optimized to provide a good match for all high quality headphones. A front panel switch allows the user to select between the speakers or headphones. Additional features are the subwoofer outputs - one for each channel, and the motorized remote control function for adjusting listening level and mute. You will absolutely enjoy listening to this lovely amplifier – it truly is an *Xciter!*

The input circuit is a single-ended design with three (3) switched RCA stereo inputs per channel. The vacuum tubes in each channel consist of one (1) 12AX7A (dual triode) for the input gain and for the driver stage and two (2) 6L6GC output power tubes. The filaments of the 12AX7A stages are direct heated with filtered and regulated 12 VDC for lower noise performance. The first section of 12AX7A provides the low level preamp gain stage and the second section provides the phase inverter and differential driver stage. Both sections of the 12AX7A are operating in Class A with minimal feedback. The 6L6GC output tubes are configured as triodes and operated in a class A push-pull configuration and are continuously auto biased through cathode auto biasing circuitry. The laminate output transformers are customized to match the output circuit requirements and have a signal handling capacity well beyond the amplifiers demands to avoid any problems with linearity and saturation. Five-way Gold plated speaker binding posts provide reliable connection to your speakers. Frequency response at full rated output power is from 17 Hz to 23 kHz with less than 2% total harmonic distortion.

The circuitry for the entire amp is designed into a high-grade two-layer printed circuit board with extensive ground planes and heavy copper circuit traces on the power bus circuitry. Shielded coaxial cable is used for critical signal path component interfaces. This design approach imparts an extremely clean layout and a very high performance level. A toroidal power transformer provides the foundation for a compact, yet high efficiency power supply. The power supply features seven (7) 100 micro farad low impedance low profile electrolytic capacitors which yields an abundant total of 700 micro farads of energy storage and provides an excellent dynamic performance capability. The high voltage power bus is further enhanced with a power choke in a pi-L configuration for additional filtering to the preamp stage and with two (2) high speed .22 microfarad Kimber Kap polystyrene by-pass capacitors to further enhance the superb transient response characteristics under demanding musical passages.

The CAD *Xciter* integrated Stereo Amplifier is the perfect match for the CAD *Xciter* Digital Analog Converter. Together, the companion *Xciter* tandem will beautify your office or listening room and deliver a no compromise musical listening experience in a small package.

Let the *Xcitement* rock!

WELCOME

UNPACKING AND INSTALLATION

This section describes the unpacking and installation procedures for your new component.

Unpacking

All Cary Audio Design shipping cartons have been specially designed to protect their contents and special care has been taken to prevent damage under normal shipping conditions. Mishandling should be evident upon inspection of the shipping container. If shipping damage is found after visual inspection, take care not to destroy the evidence. If necessary, document the damage with photographs and contact the transport carrier immediately.

Carefully remove your new component from its packing carton and examine it closely for signs of shipping damage. We strongly recommend saving all original packing cartons to protect your component from damage should you wish to store it or ship it at a later date.

In the Box

When unpacking your CAD *Xciter* power amplifier, make sure the following accessories are included. You should find the following items:

- Power Cable
- Owner's Manual
- Warranty Card
- Spare Fuses

Warranty Card

If you are the original purchaser of this unit and you purchased it in the United States, you should fill out the enclosed warranty registration card and return it to Cary Audio Design within 15 days of your purchase. Cary Audio Design also suggests that you keep your original packing cartons in case you ever need to ship the unit when moving to a new home. Warranty restrictions apply. Consult the warranty section of this manual for details. Please be certain to keep a copy of the original sales receipt from your Authorized Cary Audio Design dealer to validate the warranty if ever needed.

SPECIFICATIONS

Operating the CAD *Xciter* is a simple procedure. It is designed for long-term stability in virtually any home operating environment. However, if the unit is operated outside the parameters outlined in this owner's manual, damage may result. Please read this manual carefully before putting your new CAD *Xciter* amplifier into operation.

The following section describes the CAD *Xciter* amplifiers' basic specifications. The specifications are subject to change without notice or obligation.

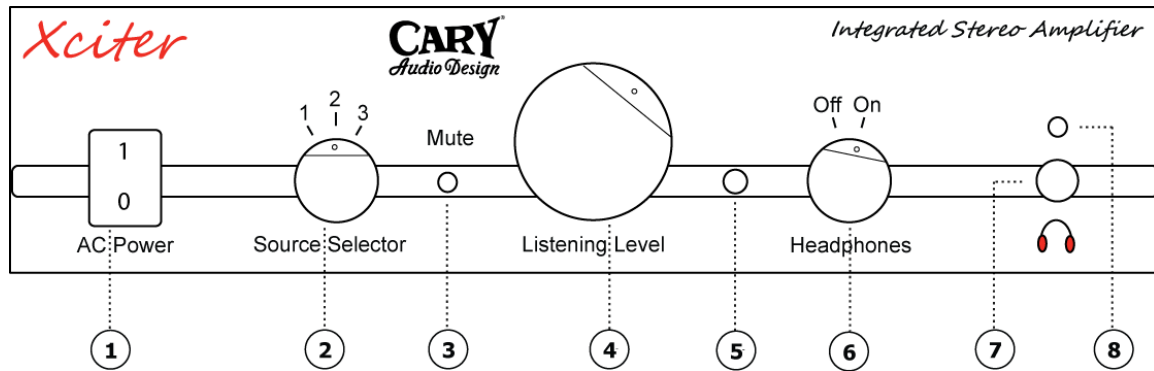
Circuit Type	Class A triode push-pull amplifier, Auto-Bias Triode mode operation
Power Output	5 Watts per channel into 8 ohm load
Line Inputs	3 selectable inputs per channel - RCA single-ended (Gold Plated)
Sub-Woofer Outputs	Sub-woofer Out - RCA single-ended - one for each channel (Gold Plated)
Headphone Output	4 - 600 ohm compatible - 1/4" diameter, 3 circuit jack
Noise and Hum	-80 dB below rated output
Input Impedance	100K - RCA Unbalanced
Frequency Response	17 Hz - 25 KHz flat @ 1 watt
Tubes	2 - 12AX7A input gain stage/ driver stage 4 - 6L6GC output tubes
Power Transformer	High Efficiency Toroidal for both High Voltage and Low Voltage Requirements
Output Transformer(s)	Custom laminate – 15 watt rating
Resistors	1% precision metal film
Capacitors	Polystyrene, Film, and Foil
Power Supply Capacitors	7 x 100 Micro Farad @450VDC (Low Impedance Electrolytic), 2 x 0.22 Micro Farad @600VDC (Polystyrene Kimber Kaps)
Speaker Posts	Gold plated copper, 5-way binding
Wiring	Printed Circuit Board and custom point to cabling (all low level signal cables are shielded coaxial)
AC Cord	3 Conductor Shielded, Detachable
AC Power Requirements	117 VAC @ 50/60 Hz 234 VAC @ 50/60 Hz
Power Consumption	80 Watts idle, 85 Watts Full Power Output

SPECIFICATIONS

Warm-Up Time	3 minutes
Break-In Time	100 hours of playing time
Finish	Black Powder Coat Gloss and Matte, silver anodized aluminum faceplate standard (black optional)
Weight	16.5 lbs
Dimensions	5 7/8" H x 11" W x 13" D

CONTROLS AND DISPLAYS

FRONT PANEL



1. AC POWER SWITCH

- Press the "1" at the top of the rocker switch to turn the power ON.
- Press the "0" at the bottom of the rocker switch to turn the power OFF.

2. SOURCE SELECTOR SWITCH

- Rotate to select one of 3 inputs for each channel

3. MUTE INDICATOR LED

- Indicates mute function is activated when illuminated
- Press remote control "Mute" button to activate Mute, Press "Mute" button again to deactivate the Mute function

4. LISTENING LEVEL CONTROL

- Rotate to adjust the listening (or volume) level of the amplifier output
- Press remote control Volume "-" or "+" buttons to adjust listening level

5. INFRARED (IR) SENSOR

- Sensor receives signals from remote control hand held sending unit
- Keep sensor free from obstructions, the sensor will not receive the signals from the hand held unit if obstructed

6. HEADPHONE SELECTOR SWITCH

- Rotate to "On" position to select output to the headphones
- Rotate to "Off" position to select output to the speakers (the headphone output is disabled when switch is in the "Off" position)

7. HEADPHONE JACK

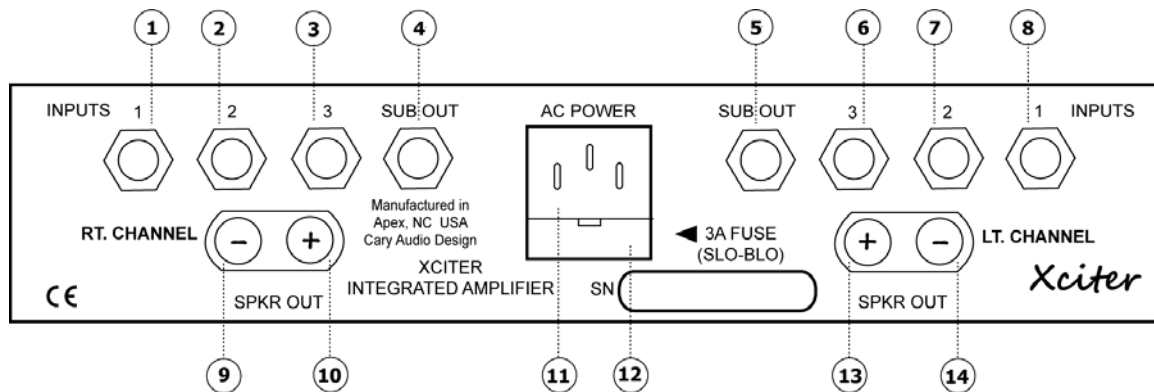
- Standard 1/4" diameter 3 circuit headphone access jack
- Use dynamic 30 – 300 ohm impedance headphones

8. HEADPHONE INDICATOR LED

- Indicates headphone function is activated when illuminated

CONTROLS AND DISPLAYS

REAR PANEL

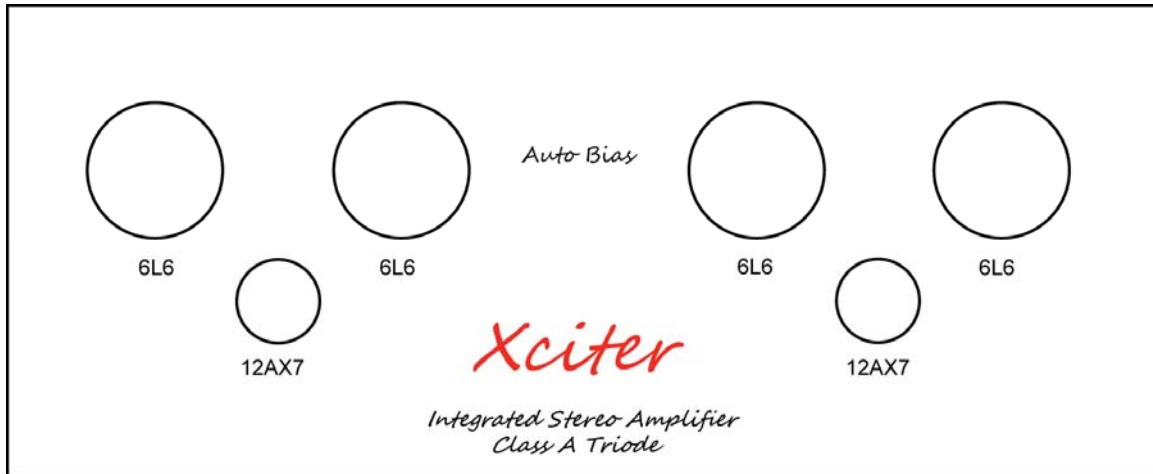


1. RIGHT CHANNEL INPUT – NUMBER 1
2. RIGHT CHANNEL INPUT – NUMBER 2
3. RIGHT CHANNEL INPUT – NUMBER 3
4. RIGHT CHANNEL SUBWOOFER OUTPUT
5. LEFT CHANNEL SUBWOOFER OUTPUT
6. RIGHT CHANNEL INPUT – NUMBER 3
7. RIGHT CHANNEL INPUT – NUMBER 2
8. RIGHT CHANNEL INPUT – NUMBER 1
9. LEFT CHANNEL SPEAKER OUTPUT – NEGATIVE LEAD
10. LEFT CHANNEL SPEAKER OUTPUT – POSITIVE LEAD
11. AC POWER CORD JACK
12. AC POWER FUSE PANEL
13. LEFT CHANNEL SPEAKER OUTPUT – POSITIVE LEAD
14. LEFT CHANNEL SPEAKER OUTPUT – NEGATIVE LEAD

CONTROLS AND DISPLAYS

TOP PANEL

The following illustration shows the tube placements on the CAD *Xciter*.



OPERATION

Your new CAD *Xciter* integrated amplifier is ready for operation after the AC power, speaker, and interconnect cables and the vacuum tubes have been installed into their proper sockets. Refer to the labeling on the chassis for placement and proper tube installation. Since the amplifier circuitry is completely auto-biasing, no biasing adjustments are required – just plug and play!

AC POWER REQUIREMENTS

The CAD *Xciter* is designed to work from house current AC mains. The design voltage is 120 Volts AC at 50/60 Hz (Foreign units 240 Volts AC at 50/60 Hz). Plug the provided AC power cable into the AC Power jack on the rear panel of the unit.

SOURCE INPUTS

The CAD *Xciter* accepts 3 unbalanced stereo inputs via the RCA jacks on the rear panel. Nominal input impedance is 100K Ohm and provides compatibility with common sources such as CD/DVD players, DAC, Cinema, Tuner, and Tape. A shielded high quality interconnect cable is important to reduce chances for hum or interference. Ask your Authorized Cary Audio Design dealer for advice.

SUBWOOFER OUTPUTS

The CAD *Xciter* provides buffered low level outputs of the selected stereo source input via the RCA jacks on the rear panel suitable for driving the low level input of amplified subwoofers. A shielded high quality interconnect cable is important to reduce chances for hum or interference. Ask your Authorized Cary Audio Design dealer for advice.

SPEAKER BINDING POSTS

The CAD *Xciter* will drive loudspeaker loads from as low as 4 ohms to a high of 16 ohms without any adjustments. Please remember to keep the proper phase on each channel when connecting the loudspeaker cables. Red is the positive and black is the negative lead. The positive binding post (on both left and right channels) is located closest to the middle of the chassis. Check your speaker cables periodically to make sure the connections are tight.

POWER ON / OFF SWITCH

The AC Power rocker switch for power on - power off is located in the lower left-hand corner of the front panel. The CAD *Xciter* becomes fully operational once the AC Power cord is plugged into the unit and into the wall AC outlet the Power On/Off switch is turned On. Push the "1" at the top of the switch to turn the unit on. You will notice that blue back lighting behind the Listening Level control on the front panel will illuminate. The vacuum tubes will light as well. Blue LEDs will also illuminate the base of each 12AX7A tube. The unit is powered down (turned off) simply by pushing the "0" at the bottom of the power switch. AC power is then removed from the power supply in the CAD *Xciter*.

OPERATION

SOURCE SELECTOR

The Source Selector switch, located on the front panel, allows the selection of one of three input stereo source selections connected to the RCA input jacks on the rear panel. Simply rotate the knob of the selector switch to the desired input source.

LISTENING LEVEL

The Listening Level control, a potentiometer located in middle of the front panel, allows the adjustment of the listening level (or output volume). Simply rotate the knob of the control to either increase or reduce the listening level. Alternatively, the listening level can be remotely controlled. The Remote Control Operation sections details the use of the hand held remote for this function.

REMOTE CONTROL

The hand held remote control allows the convenient adjustment of both listening level and the mute function. Point the hand held remote toward the amplifier front panel and press the remote control Volume “-” button to reduce listening level or press remote control Volume “+” button to increase listening level. The listening level potentiometer is motorized and you will see the large Listening Level control knob physically move as you adjust the listening level.

Point the hand held remote toward the amplifier front panel and press the remote control “Mute” button to activate Mute. Press “Mute” button again to deactivate the Mute function. A red LED indicator lamp located between the Source Selector switch and the Listening Level control will illuminate when the Mute function is On. The LED will go off when the Mute function is Off.

The infrared (IR) sensor is located on the front panel between the Listening Level control and the Headphone On/Off switch. The IR sensor must be free of obstructions in order to receive the signals from the hand held remote. The remote must be pointed to the front panel of the amplifier to function correctly.

HEADPHONE FUNCTION

The Headphone On/Off switch, located on the front panel, allows the output of the amplifier to be switched from the speakers to headphone jack when the switch is rotated to the “On” position. When the switch is set to the “Off” position the output of the amplifier is switched only to the speaker jacks. The headphone jack is not functional while the speakers are operating and the speaker jacks are not functioning when the headphone jack is active. A blue LED indicator lamp located just above the Headphone Jack will illuminate when the Headphone Jack is On. The LED will go off when the Headphone function is Off.

The 3 circuit headphone jack accepts a ¼” diameter stereo plug. Be sure to plug your headphone plug securely into the headphone jack. The CAD *Xciter* is capable of driving nearly any dynamic headphone set to very high levels. The Listening Level control should be turned to a low setting prior to listening with headphones to avoid potential exposure to excessively loud sound levels. The listening level can then be adjusted to a comfortable setting.

OPERATION

BREAK-IN PERIOD

The tubes, capacitors and output transformers take approximately 100 hours use to settle in for peak performance. The CAD *Xciter* will sound good right out of the box but it will improve within a short time. After the first 50-100 hours you will notice increased depth and tighter bass. This break-in period is characteristic with quality vacuum tube audio amplifiers.

SERVICE AND CARE

TUBE REPLACEMENT

If it becomes necessary to replace the tubes in the amplifier, a matched set of output tubes of the same name brand should be used. A new tube kit is available from Cary Audio. You should get years of service from the rugged 6L6GC output tubes. The input and driver 12AX7A tubes can last even longer. Other output tubes may be used in the CAD *Xciter* amplifier include: 6V6, 5881, or EL-34 tubes are all acceptable for use in the output stage of the CAD *XCITER*. The output tube circuitry will automatically set the proper bias level for the output tubes in use.

The unit should be turned off and the tubes allowed a cool down period prior to replacement. The tubes operate at high temperatures and should not be touched while hot. Ask your Authorized Cary Audio Design dealer for advice on tube selection and replacement.

AC POWER FUSE REPLACEMENT

Never replace fuse with any other value than a three (3) amp slow blow fuse, 250 Volt for a unit configured to operate at 120 Volts AC. Never use any other value than a two (2) amp slow blow fuse, 250 Volt for a unit configured to operate at 240 Volts AC. The AC Power Cord must be unplugged from the AC Power jack on the back of the unit prior to replacing the fuse. The fuse panel can then be removed from the unit by inserting the tip of a small screwdriver into the small tab at top edge of the fuse panel and then pushing the panel out from the jack. The fuse is the 5mm x20mm type and fits into the clip inside the fuse panel. After the panel is extracted remove the old fuse from the mounting clip and install the new fuse into the clip. Carefully slide the fuse panel back into the AC jack assembly after inserting the new fuse. Set the unit Power On/Off switch to the Off position and plug the AC Power cord back into the AC Power jack. Then set the Power On/Off switch to the On position and verify proper operation. Ask your Authorized Cary Audio Design dealer for advice if the fuse repeatedly blows.

CARE AND CLEANING

The cabinet housing and front panel of the CAD *Xciter* may be cleaned with a soft cloth and Windex or a window cleaner. The frequency of cleaning will be governed by how many hours the CAD *Xciter* is operated and by the cleanliness of the operating environment.

FACTORY SERVICE

Careful consideration has been given to the design of your CAD *Xciter* to keep maintenance problems to a minimum. Any problems or requests for service should be referred to our Customer Service Department at 919-355-0010. DO NOT return the CAD *Xciter* to the factory without a Return Authorization number (RA) from the Customer Service Department.

Cary Audio Design will assume no responsibility if the shipping company refuses to pay for damage due to your improper packing or lack of insurance should the unit be lost or damaged in shipment. Please retain and always use the original shipping carton for shipping the player.

SERVICE AND CARE

NON-WARRANTY REPAIRS

Cary Audio Design will provide repair service for its products charging on a time and expense basis. The standard non warranty service bench fee is \$125, plus charges for parts and materials. This may change and is not a quote for service. Please call us at 919-355-0010 for more information about out of warranty service and repair fees.

CAUTION - Never remove or insert the back panel AC plug when the unit is on or the ac cord is plugged into the wall.

WARNING - Make no attempt to put the CAD Xciter in service outside of the cabinet.
***** Contact with lethal high voltages found in the unit can be fatal!! *****

Do not remove the top cover or bottom covers

UNITED STATES LIMITED WARRANTY

Cary Audio Design warrants to the original United States purchaser for use in the United States that Cary Audio Design vacuum tube or solid state power amplifiers, surround sound processors or preamplifiers shall be free from defects in parts or workmanship for three (3) years from the date of the original purchase. Vacuum tubes, if any are used in the component, are offered a 90 day from purchase date exchange policy against defects with the exception of the CAVT 300B vacuum tube which has a (1) one year from purchase date exchange policy. Any digital drive design, whether a Cary Audio Design CD or SACD player or a Cary Cinema DVD player, has a limited one year parts and labor warranty against defects in manufacture. This is a limited warrant, for the original purchaser only and does not transfer to any subsequent owner.

During the limited warranty period, Cary Audio Design or an authorized Cary Audio Design service facility will provide free of charge both parts and labor necessary to correct any defects in material or workmanship.

To obtain such warranty service, the original purchaser must:

1. Complete and send in the warranty Registration Card within 15 days of purchase.
2. If claiming service the owner must send a fully filled in copy of the original sales receipt along with any unit sent in for service showing the AUTHORIZED CARY AUDIO DESIGN DEALER'S name, the new selling price, the buyer's name, e-mail or phone number and address on the receipt. Blank receipts will NOT validate the limited warranty for service.
3. Notify Cary Audio Design as soon as possible after the discovery of a possible defect and submit the following information to determine eligibility for warranty:
 - (a) The model number and serial number;
 - (b) A fully filled in copy of the original sales receipt showing the original selling price, purchasers name and address filled in by an AUTHORIZED CARY AUDIO DESIGN DEALER with the original date of purchase shown on the form;
 - (c) a detailed description of the problem.
4. Deliver the product to Cary Audio Design or the nearest authorized service facility or ship with all freight and insurance charges prepaid, in its original packing container or equivalent, to Cary Audio.

Correct maintenance, repair and use are important to obtain performance from this product. Therefore, please carefully read the Operating Manual. This warranty does not apply to any defect that Cary Audio Design in its sole discretion determines is due to:

1. Improper maintenance or repair, including the installation of parts or accessories that do not conform to the quality and the specifications of the original parts.
2. Misuse, abuse, neglect or improper installation.
3. Accidental or incidental damage.

WARRANTY DISCLAIMER

Except for the express warranties stated herein, Cary Audio Design disclaims all other warranties including, without limitation, all implied warranties of merchantability and fitness for a particular purpose. The foregoing constitutes Cary Audio Design's entire obligation with respect to this product, and the original purchaser and any user or owner shall have no other claim for incidental or consequential damages. Some states do not allow the exclusion or limitation of incidental or consequential damages, so the above limitation and exclusion may not apply to you. This warranty gives legal rights and you may also have other rights, which vary from state to state.

EXCLUSIVE REMEDY

Notwithstanding the foregoing, the purchaser's exclusive remedy for any breach of warranty, express or implied, is limited to the repair or replacement of the defective unit or the refund of the purchase price, at the option of Cary Audio Design. Under no circumstances is Cary Audio Design liable for incidental or consequential damages. Any implied warranties imposed by law terminate one (1) year from the date of purchase.

INTERNATIONAL PURCHASERS (Export markets)

Cary Audio Design warrants its merchandise to purchasers within the United States exclusively for use within the United States of America. It provides no other warranties, expressed or implied. If you are living outside the USA, please consult with your local dealer or distributor to determine the details of your local warranty.