

SLA-80

OPERATING MANUAL

NOTE:

Before installing your new SLA-80 please read this manual carefully as it will inform you of the SLA-80's specifications, proper installation procedures and operation procedures. Also included in this manual are guidelines on how to properly service and care for your new SLA-80.

SLA-80

STEREO AMPLIFIER

Congratulations ! You have purchased one of the most exotic stereo audio amplifiers available. Within its power range , the SLA-80 displays the operating characteristics of a true "high-end" amplifier. Careful design, parts selection and proper circuit topologies contribute to incredible reliability and enjoyment.

The SLA-80 is constructed to the highest commercial standards utilizing a grain oriented stainless steel , nickel chrome plated chassis. All resistors are 1% metal film and the audio coupling capacitors are made of polypropylene. Each SLA-80 is hand wired point to point. The high voltage DC power supply contains two computer grade electrolytic capacitors for a total of 2200 MFD. The SLA-80 utilizes a 5814 and 6SN7 tube as the predriver and phase inverter, and of course, the famous KT-88 tetrode output tubes in a push-pull output configuration. The output transformer is an ultralinear design specifically designed by Cary Audio for use in the SLA-80. This output transformer is the most important component in the entire amplifier. All SLA-80 amplifiers are burned in at the factory for a 48 hour period. This burn-in period will assure you of a trouble free amplifier, right out of the box.

A great deal of attention during design of your new SLA-80 was concentrated on the "overload recovery" ability of the amplifier. The ability of an amplifier to instantly recover from clipping is much more important than is commonly believed. In the power war of amplifier manufactures the mentality is focused on high and then even higher power output to solve the clipping problem. When in reality the most critical aspect is how fast a recovery an amplifier can achieve after overload. With the incredible dynamic range of live and in turn recorded music even 2000 watts more power is not enough power. Most of the music being listened to in an average listening room is only requiring about 3 watts of power. It is on the transients of loud low frequency program material that tremendous signal voltages will appear at the input of the amplifier. It is in this situation that the overload recovery ability of an amplifier is of critical concern. The SLA-80 will overload symmetrically at any frequency in the audio band-pass. The SLA-80 will also yield faithful reproduction of extremely low frequencies at full output levels. Power transformer, power supply regulation and output transformer design and careful shaping of the overall frequency response curve play a very important part in the ability of the SLA-80 to recover quickly when overloaded. The high voltage rail will fluctuate no more than a volt between soft and loud passages.

Another technical feature of your new SLA-80, aside from how compact and gorgeous it looks, is the delightful, sensual beauty of the music it recreates. The first thing that will strike you about your new SLA-80 integrated amplifier is the incredible transparency and resolution of detail in the music. The SLA-80's sensual nature is best revealed in the sense of life it displays in female vocalists.

Your new Cary SLA-80 presents music with such presence and directness, you'll be drawn into the music hour after musically satisfying hour. This is the result of circuit techniques, which eliminate any discernible crossover notch at low levels, and also contributes to the freedom from listening fatigue. The SLA-80 will draw you in even further as you realize how lucid and utterly uncolored neutrality reveals delicate nuances in the sound stage.

Enjoy the music and of course please read this complete manual for a complete understanding of trouble free operation.

SPECIFICATIONS

Operating the SLA-80 stereo amplifier is a simple procedure, since each unit is designed for long term stability in virtually any home operating situation. Therefore, if the unit is operated outside the parameters outlined in this owner's manual, damage may result. Please read this manual carefully before putting your new Cary Audio Design SLA-80 in operation. The following definitions are applicable to this manual. These definitions must be followed explicitly.

WARNING

HAZARD PRESENTS PERSONAL INJURY OR DEATH

Caution

EQUIPMENT DAMAGE MAY OCCUR BUT NOT PERSONAL INJURY

Note

Proper performance of the amplifier cannot be ensured if disregarded

1.2 Specifications

The following section describes the SLA-80 basic specifications. Specs are subject to change without notice or obligation.

DIMENSIONS: 7" H x 17"W x 16"D

WEIGHT: 42 lb..

CIRCUIT TYPE Push-Pull Ultralinear Amplification in Class A/AB

POWER OUTPUT: 80 Watts

INPUT SENSITIVITY: .45 volts for full output

INPUT IMPEDANCE: 1000,000 ohms

NOISE AND HUM: 82 dB below rated output

FREQUENCY RESPONSE:: (at full power output) 19hZ to 23Khz+/- .5db

TUBES: 2- 5814 INPUT PREAMP
2- 6SN7 Pre-Driver/ Phase Inverter
4- KT-88 Output tubes
2- CV729/5U4 Rectifiers

POWER TRANSFORMERS: 1- EI laminated, 200% duty cycle

OUTPUT TRANSFORMERS: 2-EI laminated, Silicon Impregnated

RESISTORS: 1% metal film

CAPACITORS: polypropylene (oil filled optional)

POWER SUPPLY CAPACITORS: 2- 1200 MFD@450volts
6- 10MFD@450volts film & foil

AC CORD: 3 conductor shielded detachable

AC POWER REQUIREMENTS: 117/234 volts AC 50/60Hz

POWER CONSUMPTION: 166 watts operate
83 watts in stand-by

WARM-UP TIME: 3 minutes

BREAK-IN PERIOD: 100 hours of music playing time

FINISH:- Chrome plated Stainless-Steel Chassis

FRONT PANEL: Machined, Black Anodized aluminum

1.3 Front Panel Features

POWER OFF/ON: Rotary switch turns on AC mains.

STAND-BY/ OPERATE: Rotary switch turns high voltage on "in operate" position

LED: Indicates high voltage on.

1.4 Rear Apron Features

INPUT: Signal input connection via shielded interconnect cable

SPEAKER-OUTPUT: 5-way binding posts provide the output to the speaker system.
RED=+ , BLACK= - .

AC: 3- conductor shielded power detachable cord to AC power mains.

<p style="text-align: center;">CAUTION EQUIPMENT DAMAGE MAY OCCUR WITH IMPROPER FUSES</p>
--

AC FUSE: This is an over current protection fuse for the SLA-80.
Never replace with any other fuse than 3 AMP SLOW BLOW !
250 VOLT ! (2 AMP SLOW BLOW ON 220 VAC OPERATION)

TUBE FUSE: This is a protection fuse for the output tubes. Never replace with any other fuse than
a .5 amp fast blow ! 250 volt.

CAUTION NEVER REMOVE / INSERT AC LINE CORD WHEN THE UNIT IS ON
--

INSTALLATION

This section describes the unpacking and installation procedures for the SLA-80 amplifier.

WARNING MAKE NO ATTEMPT TO PUT THE SLA-80 AMPLIFIER IN SERVICE WITHOUT THE BOTTOM PLATE ATTACHED-CONTACT WITH VOLTAGE IN THE SLA-80 CAN BE FATAL !!!!!

2.1 Unpacking

All shipping containers have been specifically designed to protect their contents and special care has been taken to prevent damage under normal shipping conditions. Mishandling should be evident upon inspection of the shipping container. If damage is found after visual inspection, take care not to destroy the evidence. If necessary, document the damage with photographs and contact the transport carrier immediately.

Carefully remove your new SLA-80 stereo amplifier from its package carton and examine it closely for signs of shipping damage. It is recommended to save all original packing cartons to protect your amplifier from damage should you wish to store it or ship it for after sales service.

2.2 Warranty Card

Fill out the enclosed warranty registration card and return it to Cary Audio Design, Inc. within 10 days of original purchase. Keep your original sales slip with the packing cartons should you ever need it for reference. **Failure to register warranty will limit the warranty to one year.**

2.3 Amplifier placement

In general, the location of your new SLA-80 is not critical. Certain precautions must be taken to ensure optimum performance. Avoid extremely hot locations such as near radiators or other heating units. Keep the top of the SLA-80 clear of books, paper or other equipment to protect against overheating !! DO NOT place your SLA-80 in a closed book case - overheating will damage the amplifier ! Allow 8 to 10 inches above the unit for proper ventilation.

2.4 Power Requirements

The SLA-80 is designed to operate from house current mains. The design voltage is 117 VAC at 50/60Hz (Foreign units 234 VAC at 50/60Hz.)

2.5 Cables

The speaker cables from the output posts of the SLA-80 to the speaker system can be any convenient length your set up requires. Select speaker cables of sufficient size to preserve the outstanding performance capabilities of your SLA-80. Heavy gauge #16 wire is suitable for distances up to 10 feet; #12 for 25 feet. Most audio dealers will have proper speaker cables in stock for this purpose.

OPERATION

Signal input connection is made via the input jacks on the rear of the SLA-80 located on the rear panel. The interconnect cables from the output of the pre-amp can be any convenient length your set-up requires. The choice of a high quality interconnect cables is important. Once again, your audio dealer will have the proper cables in stock for this purpose.

3.1 Operation

Your new SLA-80 is ready for operation after the speaker and interconnect cables have been installed.

3.2 AC ON / OFF

Simply turn the rotary switch to the "ON" position. Observe that all 10 tubes are lit (filaments).

3.3 Stand by / Operate switch

This is a most convenient feature on the SLA-80 amplifier. In the "operate" position, the amplifier is ready to operate. In the "stand-by" position, only the tube filaments are operating. You may wish to leave your SLA-80 amp turned on in the "stand-by" mode 24 hours a day. When you wish to listen to music simply turn the stand-by switch to the operate position. Under these conditions the SLA-80 is always warmed up and ready for peak performance. After the amplifier has been "on" for 1 to 2 minutes turn the switch to "operate". The high voltage will slowly come up and the blue led will light indicating the power supply is charged. Waiting 1 to 2 minutes is not absolutely necessary, but warming up the filaments before applying high voltage will extend the life of your tubes.

3.4 Break-In Period

The tubes, capacitors and output transformers take approximately 100 hours of music playing to fully settle in for peak performance. The SLA-80 will seem sterile or thin sounding right out of the box. After the first couple of hours you will notice increased depth and tighter bass. This break-in period defies all engineering theory, but is true with most amplifiers.

<p style="text-align: center;">WARNING MAKE SURE THE AMPLIFIER IS UNPLUGGED FROM AC MAINS BEFORE SERVICING.</p>
--

SERVICE AND CARE

4.1 SLA-80 Care and Cleaning

The case and front of the SLA-80 may be cleaned with a soft cloth and Windex or a window cleaner. The frequency of cleaning will be governed by how many hours the SLA-80 is operated and by operating environment cleanliness. A very mild chrome polish may be used on the chrome chassis to remove what the window cleaner does not.

CAUTION! - GENTLY APPLY THE POLISH TO THE CHROME, OTHERWISE YOU MAY SCRATCH THE CHASSIS.

4.2 Tube Replacement

If it becomes necessary to replace the tubes in the SLA-80 amplifier, a matched quartet set of output tubes of the same brand should be used. A new tube kit is available from Cary Audio Design, Inc. You should get a few years or more from the output tubes with everyday usage and many, many years of use from the 5814 & 6SN7 input tubes.

4.3 Factory Service

Careful consideration has been given to the design of your SLA-80 amplifier to keep maintenance problems to a minimum. However, it is possible that some problems may arise which cannot be cured by tube substitution. At this point we suggest you contact our Customer Service Department at 800-421-5456 to describe your problem in detail. DO NOT return the SLA-80 to the factory without a return authorization number from the Customer Service Department.

Cary Audio Design, Inc. will assume no responsibility if the transportation company refuses to pay a damage claim due to your improper packing or lack of insurance should the unit be lost or damaged in shipment.

WARNINGS

MAKE NO ATTEMPT TO PUT THE SLA-80 IN SERVICE WITH THE BOTTOM PLATE REMOVED. CONTACT WITH THE HIGH VOLTAGES FOUND IN THE UNIT CAN BE FATAL!! COMPLETELY REMOVE AC POWER PLUG FROM THE WALL AND ALLOW 30 MINUTES FOR THE HIGH VOLTAGE CAPACITORS TO DISCHARGE THROUGH BLEEDER RESISTORS BEFORE ATTEMPTING TO CHANGE TUBES OR CLEAN THE INSIDE OF THE AMPLIFIER.

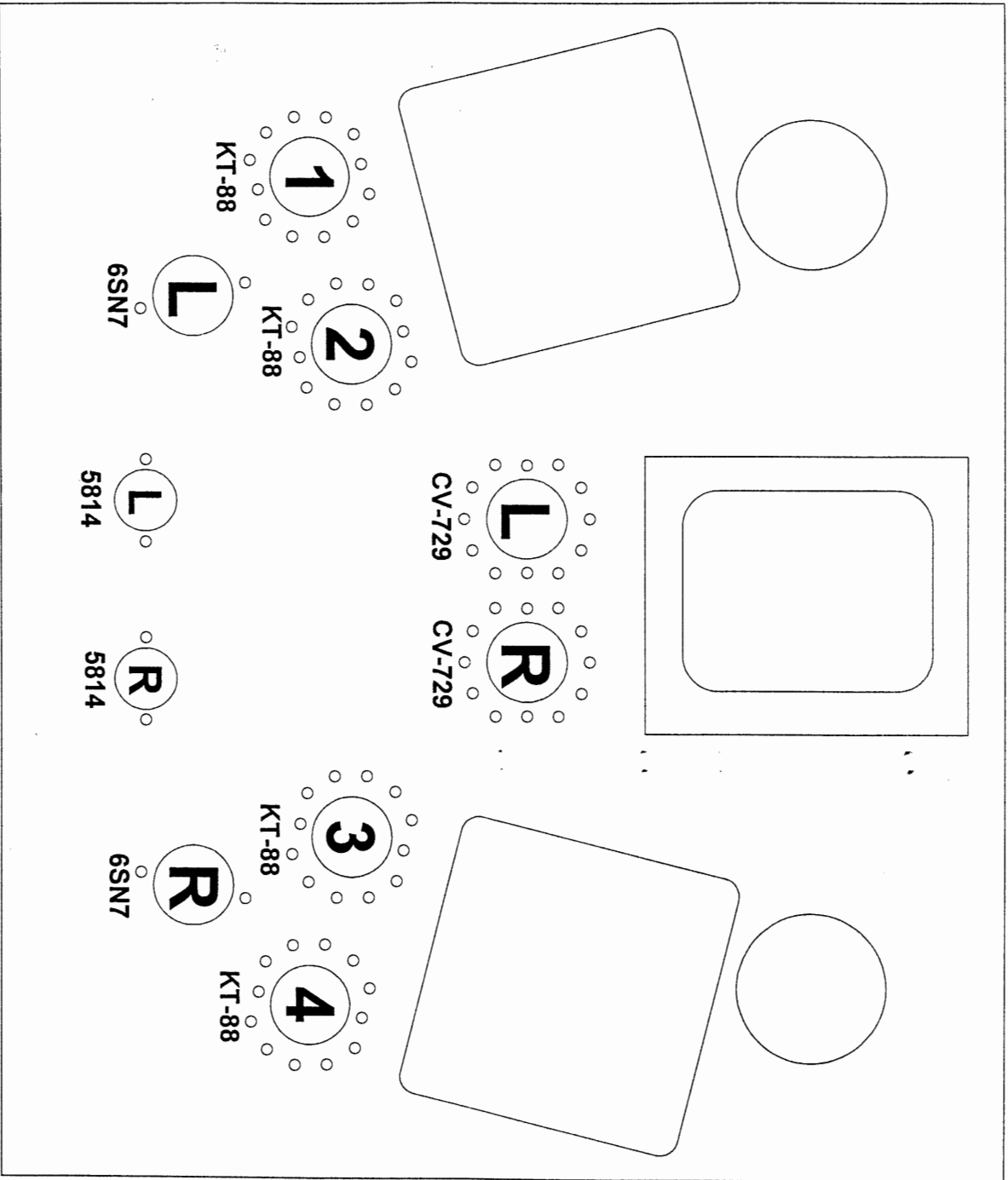
CAUTIONS

NEVER REMOVE OR INSERT AC PLUG WHEN THE UNIT IS ON OR THE AC POWER SWITCH IS IN THE ON POSITION. OBSTRUCTION OF THE TOP PORTION OF THE SLA-80 WILL RESULT IN TUBES OVERHEATING AND DAMAGE TO THE AMPLIFIER.

!! OBSERVE DIRECTIONS IN THIS MANUAL !!

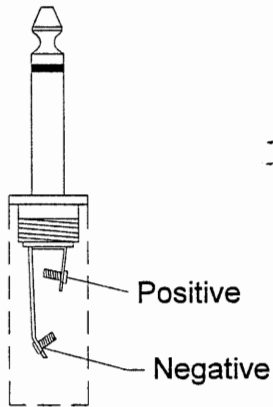
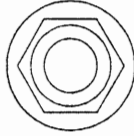
SLA-80 TROUBLESHOOTING GUIDE

<u>SYMPTOM</u>	<u>CAUSE</u>	<u>REMEDY</u>
Hum or "Buzzing" through speakers	Ground Loop	Install 2-pin adapter on AC cord to float the ground.
	Intermittent or poor connection of interconnect ground.	Replace interconnect
"Popping or Spitting" noise through the speaker	Noisy tube	If noise is in one channel swap one section of tubes a time until the noise swaps channels. Replace noisy tube.
		Check bias of output tubes If high or fluctuating rapidly, replace output tube. (see bias instruction sheet)
AC fuse blows	Line voltage surge	Replace
	CV729 shorted	Replace CV729
Tube fuse blows	Shorted KT88	Replace tube

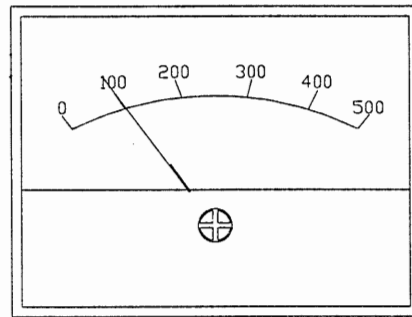
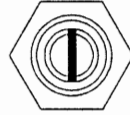


SLA-80 Bias Adjustment

Bias Meter Jack



Bias Adjust



Set bias for both sides of the amplifier to 100mA

Insert meter plug into bias jack.
Adjust for 100mA reading on VOM or DC current meter.
Readjust to 100mA after after SLA-80 is warmed up for
10 minutes. Remove plug and enjoy the music!

Note: Bias is factory preset; Bias should be reset when installing replacement KT-88 tubes.